

Dosing technology

Dosing system

preeflow® *eco-DUO600*
by ViscoTec

DESCRIPTION

The new and innovative 2-K-precision-volume-dispenser eco-DUO600 made by ViscoTec offers a wide range of applications for the 2-component dispensing. Through the new integrated pressure sensors, a safety system shutdown is guaranteed at all times.

FUNCTIONAL THEORY

preeflow® eco-DUO is a rotating and perfectly pressure-tight displacement system. Self-sealing rotor/stator design. Conveyance action by medium displacement in the stator through controlled rotor movement. Safe conveyance without any alteration of the medium. With its suck back option, preeflow® ensures clean and controlled material or medium cut-off while preventing post-dripping effects.

APPLICATION

On-the-dot dosage with maximum volumetric precision – dot-and-bead application with application speeds adaptable to track speeds – joint sealing technology.

RANGE OF USES

- electronic packaging
- photovoltaic
- laboratory
- semiconductor
- medical
- optics and photonics
- LCD/LED/OLED
- biological chemistry
- SMD/SMT

TECHNICAL FEATURES

- genuine volumetric dosing
- viscosity-independent dosing
- primary pressure-independent dosing
- pressure-tight no valve
- suck back effect
- easy to clean
- controllable dosing flow
- range of dosing pressures up to 40 bar

eco-DUO600



preeflow[®] eco-DUO600

by ViscoTec

Fig.: Mounting

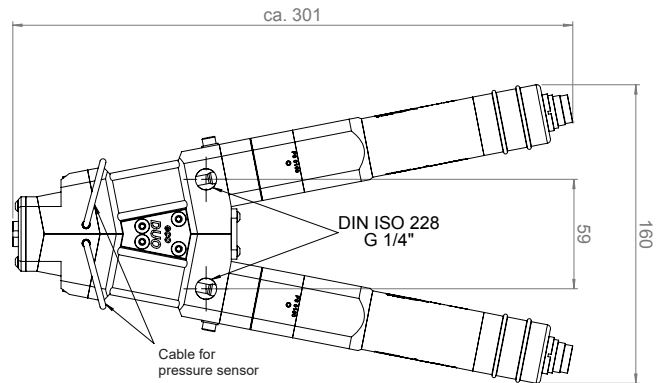
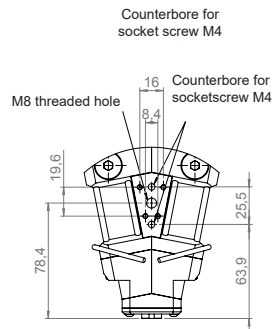
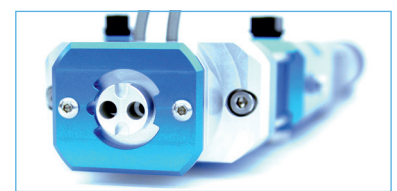


Fig.:Side view

TECHNICAL DATA

Weight:	approx. 1,600 gram
Material infeed:	1/4" cylindrical whitworth pipe thread DIN/ISO 228
Material outfeed:	static mixer with bayonet socket
Max. operating pressure:	0 – 20 bar input pressure, non-self-levelling fluid
Max. dosing pressure ⁽⁴⁾ :	up to 40 bar
Parts in contact with the media:	aluminum, anodized
Seals:	High-molecular PE, VisChem
Static seals:	Viton O ring
Motor:	18 - 24 V DC, incremental encoder, planetary gears
Operating conditions:	+10°C to +40°C, air pressure 1 bar
Medium temperature:	+10°C to +40°C
Approx. dosing volume per revolution:	0.140 millilitres per revolution
Accuracy of dosing ⁽²⁾ :	± 1%
Repeat accuracy:	> 99%
Mixture ratio:	1:1 to 10:1
Min. dosing quantity:	0.030 millilitres
Volume flow:	0.6 to 32.0 ml/min



(1) Max. dosing pressure and intrinsic tightness will decrease in direct proportion to a decrease in viscosity and increase in direct proportion to an increase in viscosity. Consultation with the manufacturer recommended

(2) Volumetric dosing as absolute deviation in relation to one dispenser revolution. Depends on the viscosity of the dosing medium

(3) Volume flow depends on viscosity, primary pressure and the mixing ratio

(4) depends on the static mixer



ViscoTec Pumpen- u. Dosiertechnik GmbH
Geschäftsfeld Komponenten & Geräte

Amperstraße 13 - D-84513 Töging a. Inn
Tel.: +49 (0) 8631 – 9274-000
Fax: +49 (0) 8631 – 9274-300
info@viscotec.de
www.viscotec.de



info@preeflow.com
www.preeflow.com