

SEMCO ®

Nozzles

POLY DISPENSING SYSTEMS

S Y S T E M E S D E D O S A G E I N D U S T R I E L

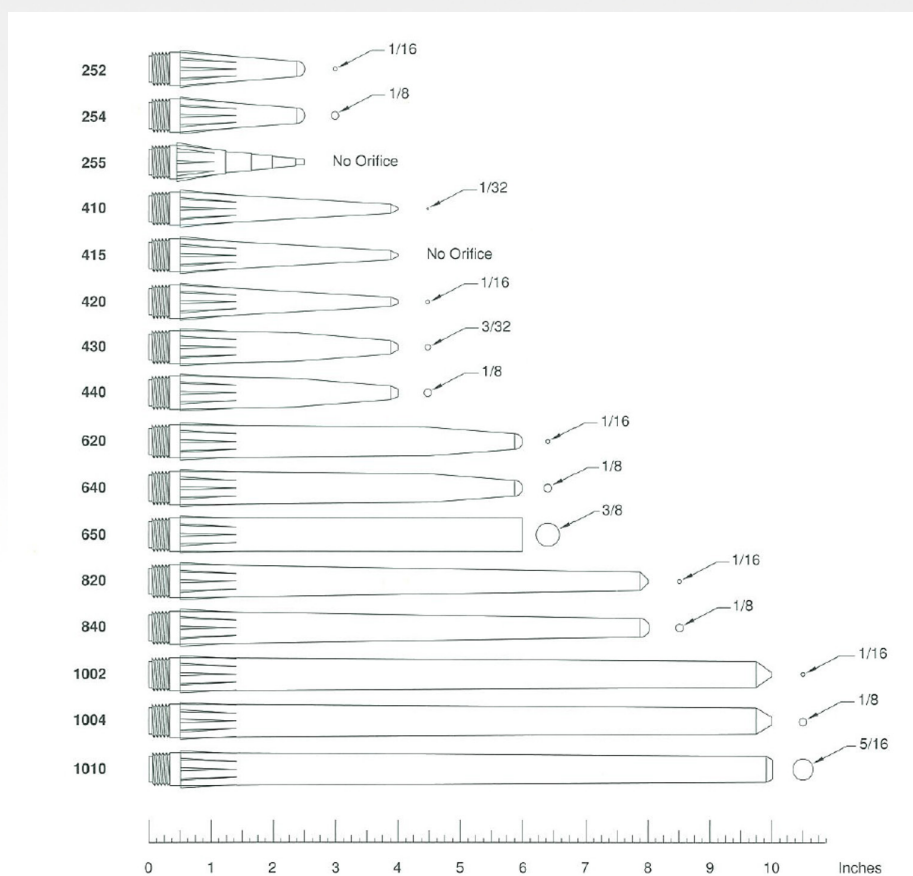
122, Chemin de la Cavée - 78630 Orgeval • contact@polydispensing.com • Tél : 01.39.62.40.92

www.polydispensing.com

Semco ® Standard Nozzles

These disposable nozzles are precision molded and have a 1/4" NPT male thread to fit Semco® 1, 2.5, 6, 8, 12, 20, 32 oz., and 1/10th gallon disposable cartridges. A wide range of lengths and orifice sizes are available to meet your application needs.

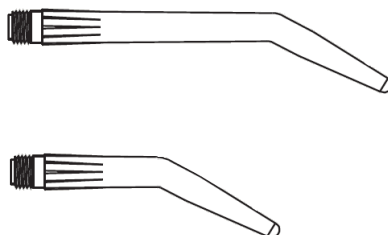
Nozzles can be bent to varying degrees, however minimum order, lead time, and pricing considerations apply.



Nozzles

Description	Part number
252 Nozzle	220538
254 Nozzle	220540
255 Nozzle	233495
410 Nozzle	220542
415 Nozzle	227613
420 Nozzle	220544
430 Nozzle	220548
440 Nozzle	220550
620 Nozzle	220553
640 Nozzle	220555
650 Nozzle	224494
820 Nozzle	220557
840 Nozzle	220559
1002 Nozzle	220561
1004 Nozzle	220563
1010 Nozzle	220565

Bent Nozzles



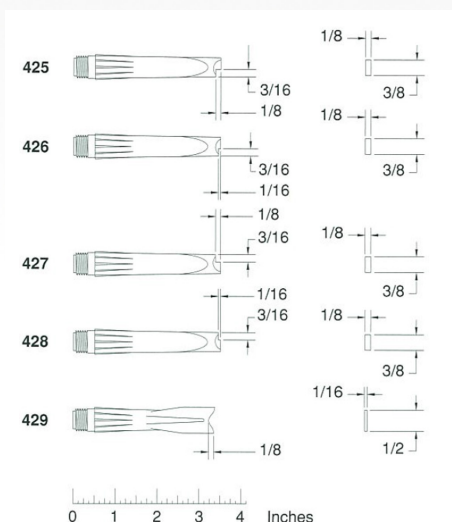
Semco® Fillet Nozzles

Semco® Fillet nozzles are specially designed for applying overlapping or 'full' fillet seals in the aerospace industry. These nozzles enable end-users to control the shape of the fillet bead and have been shown increase productivity by over 50% and can reduce up to 29% of application errors.

Semco® Fillet nozzles consistently apply sealant fillets over lap joints. These nozzles reduce the need for tooling the sealant with spatulas, thereby increasing productivity.

The model 425, 426, 427, and 428 nozzles have a built-in step to guide the nozzle along the lap joint. This produces a smooth, uniform fillet. The model 429 nozzle has no step, offering versatility when used at odd angles and in confined spaces.

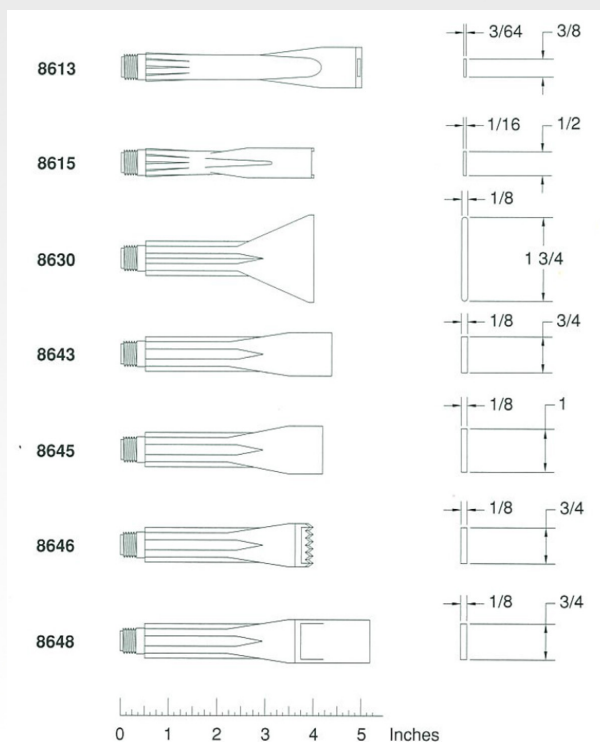
These disposable nozzles are precision molded and have a 1/4" NPT male thread to fit Semco® 1, 2.5, 6, 8, 12, 20, 32 oz. and 1/10 gallon disposable cartridges. When these nozzles are used in conjunction with a Semco® 250-A sealant gun, a smooth, uniform fillet can be applied each time.



Description	Part number
425 Nozzle	232499
426 Nozzle	232500
427 Nozzle	232501
428 Nozzle	232502
429 Nozzle	232590

Semco ® Ribbon Nozzles

A wide variety of specialty ribbon nozzles are available in various thicknesses and widths and are designed to better meet your application needs.



Description	Référence
8613 Nozzle	220572
8615 Nozzle	220574
8630 Nozzle	220581
8643 Nozzle	220586
8645 Nozzle	220587
8646 Nozzle	220588
8648 Nozzle	220589

Poly Dispensing Systems



PDS S.A.S is a french company that commercializes a wide range of dosage equipments, proven and effective.

Distributed in over 20 countries around the world, these equipments provide tailored solutions to many users in order to improve technically their manufacturing and reduce their productions costs.

Our collaborators and sales engineers all have a strong technical competences. They are able to answer your questions and offer you, after analysis, the right solution for your particular need

FRANCE - SWITZERLAND
NORTH AFRICA

Poly Dispensing Systems
122, Chemin de la Cavée
78630 Orgeval

FRANCE

☎ + 33 (0)1 39 62 40 92

📠 + 33 (0)1 39 62 40 94

www.polydispensing.com

BELGIUM- NETHERLANDS
LUXEMBOURG

Gentec Benelux
Rue de L'Industrie, 12
B-1400 Nivelles

BELGIQUE

☎ +32 2 351 1800

📠 +32 2 351 1962

www.gentec-benelux.com

POLY DISPENSING SYSTEMS

S Y S T E M E S D E D O S A G E I N D U S T R I E L